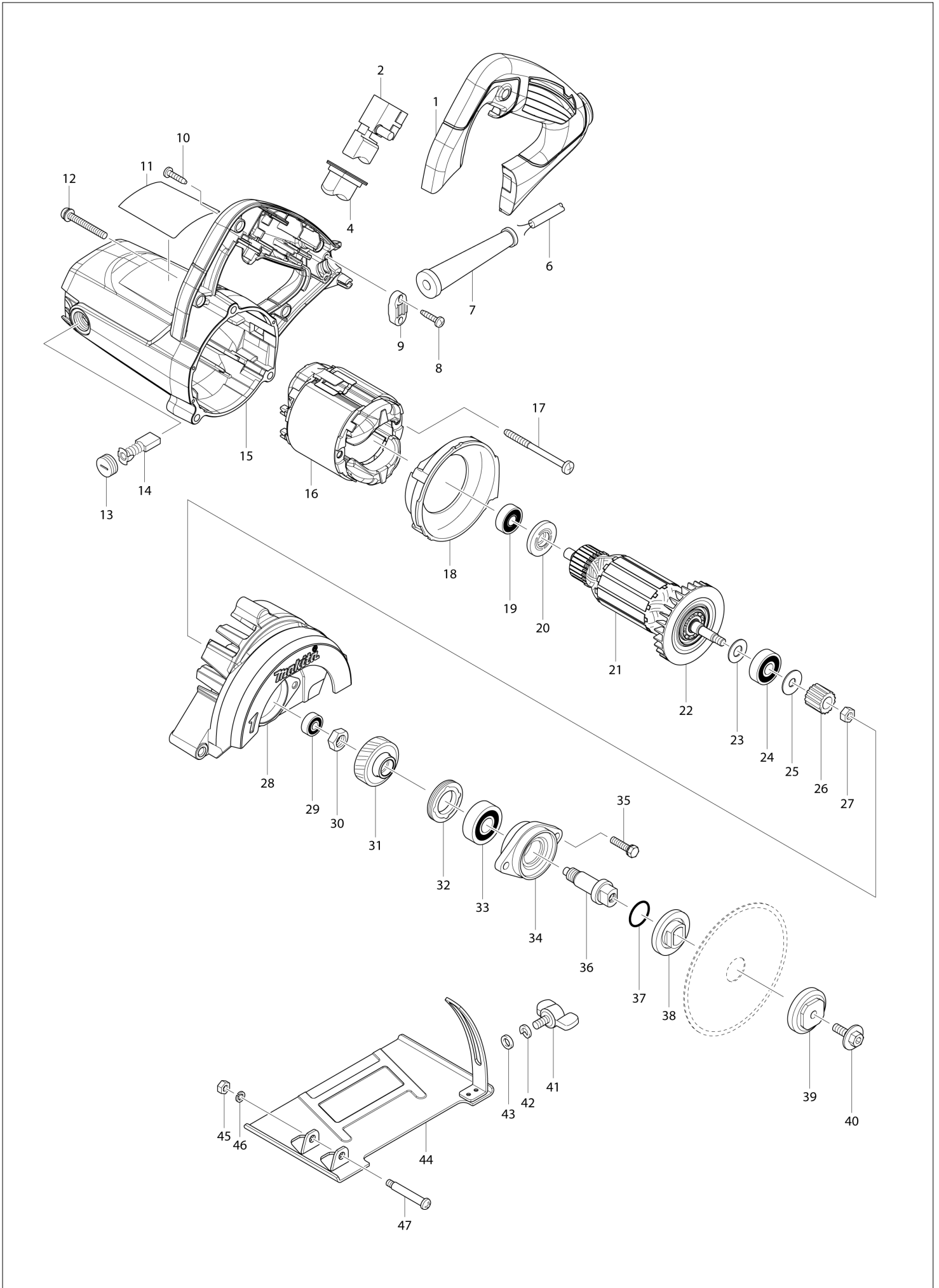


(VN) 4100NH3 / 110MM CUTTER



VN VIETNAM
4100NH3 / 110MM CUTTER

Item	Sub	Parts No.	Parts Description	Qty	I/C	E/C No.	Close No.	Remark
001		454557-7	HANDLE COVER	1				
002		650239-1	SWITCH FA1-6/1B	1				
004		421812-2	DUST COVER	1				
006		691015-4	POWER SUPPLY CORD 0.75-2-2.5	1				
007		682574-9	CORD GUARD 10-90	1				
008		266326-2	TAPPING SCREW 4X18	2				
009		687140-7	STRAIN RELIEF	1				
010		266326-2	TAPPING SCREW 4X18	4				
011		814L09-6	4100NH3 NAME PLATE	1				
012		265104-7	PAN HEAD SCREW M5X40	3				
013		643750-0	BRUSH HOLDER CAP 7-11	2				
014		B-80379	CARBON BRUSH SET CB-303A	1				
015		142142-5	MOTOR HOUSING COMPLETE	1				
	C10	643708-9	BRUSH HOLDER 5-11	2				
016		594613-2	FIELD ASS'Y 220V	1				
	C10	654020-2	RING TERMINAL	2				
	C20	654501-6	CONNECTOR P-1.25	2				
017		266352-1	TAPPING SCREW 5X65	2				
018		417810-2	BAFFLE PLATE	1				
019		211395-8	BALL BEARING 608LLU	1				
020		681644-1	INSULATION WASHER	1				
021		513868-0	ARMATURE ASS'Y 220V	1				
	D10		INC. 19,20,22-24					
022		240053-9	FAN 65	1				
023		267237-4	FLAT WASHER 9	1				
024		211092-6	BALL BEARING 629DDW	1				
025		267239-0	FLAT WASHER 7	1				
026		226552-5	HELICAL GEAR 15	1				
027		252186-8	HEX. NUT M6	1				
028		142143-3	BLADE CASE COMPLETE	1				B3446
	C10	213445-5	O-RING 26	1				B3446
028-1		142143-3	BLADE CASE COMPLETE	1	O	B3446		
	C10	213445-5	O-RING 26	1		B3446		
029		210028-2	BALL BEARING 606ZZ	1				
030		252170-3	HEX. NUT M10-17	1				
031		227767-7	HELICAL GEAR 34	1				
032		285840-9	BEARING RETAINER 19-33	1				
033		211129-9	BALL BEARING 6201DDW	1				
034		317550-1	BEARING BOX	1				
035		265497-2	+ HEX. BOLT M5X20	2				
036		324221-3	SPINDLE	1				
037		213279-6	O RING 18	1				
038		224080-4	INNER FLANGE 36	1				
039		224081-2	OUTER FLANGE 36	1				
040		266510-9	HEX. SOCKET HEX. BOLT M6X18	1				
041		265754-8	THUMB SCREW M6X12	1				
042		942151-2	SPRING WASHER 6	1				C3118
042-1		253428-3	SPRING WASHER 6	1	O	C3118		D1189
043		941151-9	FLAT WASHER 6	1				
044		165711-5	BASE	1				
045		252137-1	HEX. NUT M5-8	1				
046		942101-7	SPRING WASHER 5	1				C3118
046-1		253427-5	SPRING WASHER 5	1	O	C3118		
047		265056-2	+ PAN HEAD SCREW M5	1				
A01		781041-2	WRENCH 22	1				
A02		783217-7	HEX. WRENCH 5	1				
A03		196432-8	WATER SUPPLY PIPE SET	1				
	C10	265099-4	PAN HEAD SCREW M4X14	1				
	C20	412088-2	VINYL TUBE 5	1				
	C30	421835-0	WATER SUPPLY PLUG	1				
E01		424635-7	SPONGE	1				

Interchange
O : Yes
X : No
< : the new part can be substituted for the current.
> : the current part can be substituted for the new.
S : Interchangeable as a set.